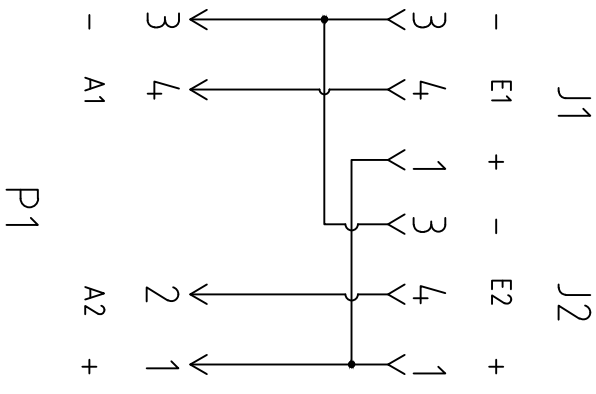


SPECIFICATIONS	
MOULDED HEAD MATERIAL/COLOR	PU/BLACK
CONTACT CARRIER MATERIAL/COLOR	TPU/BLACK
CONTACTS	BRASS/GOLD
RECEPTACLE MATERIAL/PLATING	BRASS/NICKEL
O-RING MATERIAL	FPM/FKM
OPERATING TEMPERATURE	-25°C — +85°C
PROTECTION CLASS	IEC IP67

### WIRING DIAGRAM



REV	COUNT	DESCRIPTION OF REVISIONS	BY	CHECKED	DATE

UNIT OF MEASUREMENT MILLIMETER	Tianjin Geneuo Technology Co., Ltd	
Approved: Date:	Date: 2018.5.16	Description: YVZ4-2EK3
Process: Date:	Scale: 1:1	3RD Angle Projection
Checked: Date:		
Designed: Date:	www.gsee-tech.cn www.gsee-tech.com	REV A
SOURCE DRAWING-FOR REFERENCE ONLY		

